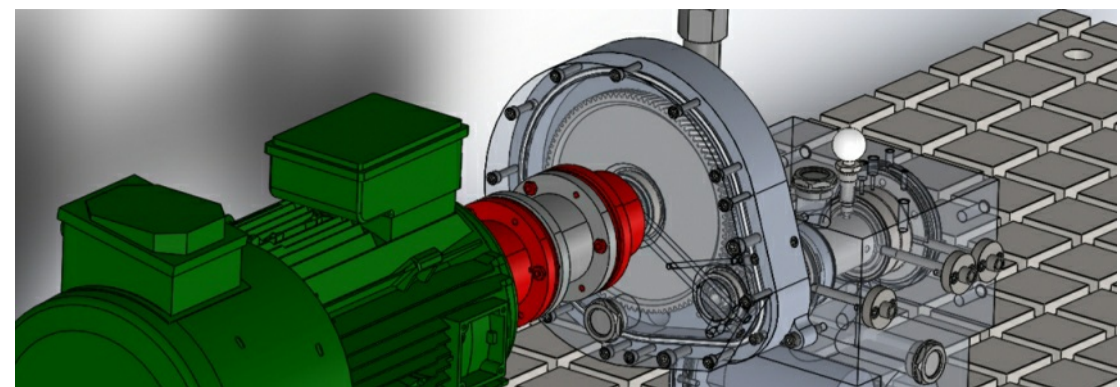


QUALIFICATION OF DYNAMIC SEALS

Test benches to qualify and validate dynamic seals



Your expectations

The green energy transition imposes, *inter alia*, better control of friction (highly energy consumers) and leaks (pollution).

You are a **manufacturer** of dynamic seals, you want to improve, optimise or check the sealing performance of your seals:

Validation of a new design, a new product or a leak-tightness level

Performance of qualification or characterisation tests

Control of wear, friction or durability

You are a **user** of dynamic seals and want to characterise, qualify or check the sealing performance of your seals:

Determination of the possibility of integrating this type of seals into your equipment

Performance of qualification or characterisation tests

Performance of endurance tests, severisation tests, etc.

More generally, you want to determine the sealing performance of dynamic seals under specific operating conditions, in accordance with standards, etc.

Our solutions

We can provide assistance throughout your project:

Development of specific tests under high speed conditions

Support in the drafting of the test protocols as needed

Performance of standardised tests or tests in accordance with particular specifications, either on a testing platform or at the customer's site

Correlation of experimental tests and numerical simulations

Failure analysis of dynamic seals

Our test benches are specific and unique in Europe:

Temperature: -50 to 200°C

Pressure: -1 to 50 bar

Fluid: water, oil, gas, etc.

Rotational speed: up to 25,000 rpm

Your benefits



Question and Answer Service

sqr@cetim.fr www.cetim.fr



Identification of possible answers and solutions regarding the green energy transition

A modular testing platform with unique testing facilities in Europe

Technicians, engineers and dedicated experts with multidisciplinary knowledge

Recognised expertise in dynamic sealing (joint laboratory with universities, and experience feedback on a wide range of dynamic seals)

We provide assistance to ensure the transition from a low TRL to industrial production

A specifically-compiled package of training courses from [Cetim Academy®](#) (classroom teaching and distance learning):

[L68 training courses: Mechanical seals](#)

[L73 training course: Lubrication of dynamic seals – Phenomena and modelling principles](#)



Question and Answer Service
sqr@cetim.fr www.cetim.fr

